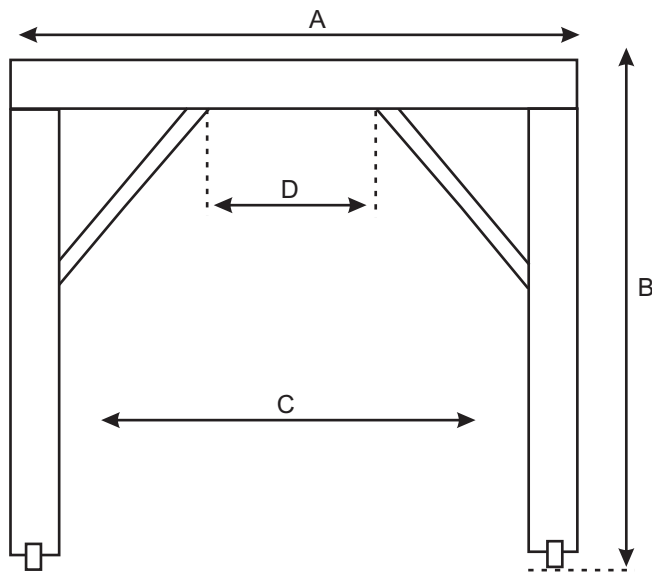


# A-FRAMES

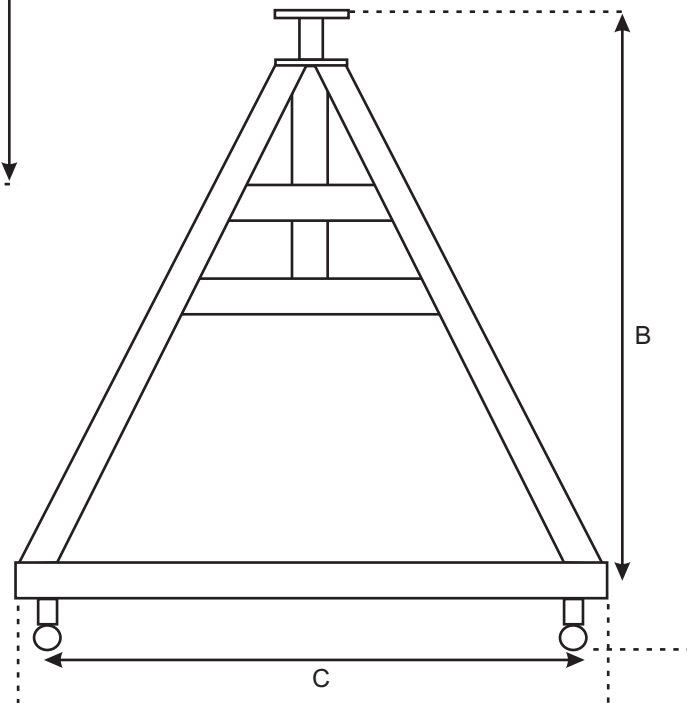
## MOBILE GANTRY

MADE AND DESIGNED TO SUIT YOUR REQUIREMENTS



Please specify:

1. Lengths of A, B, C, D
2. Capacity



All wheels fitted with cast iron castors.

Polyurethane wheels are an alternative

Beam sizes to fit relevant crawls.

**Should you require additional technical information,  
please do not hesitate to contact us.**