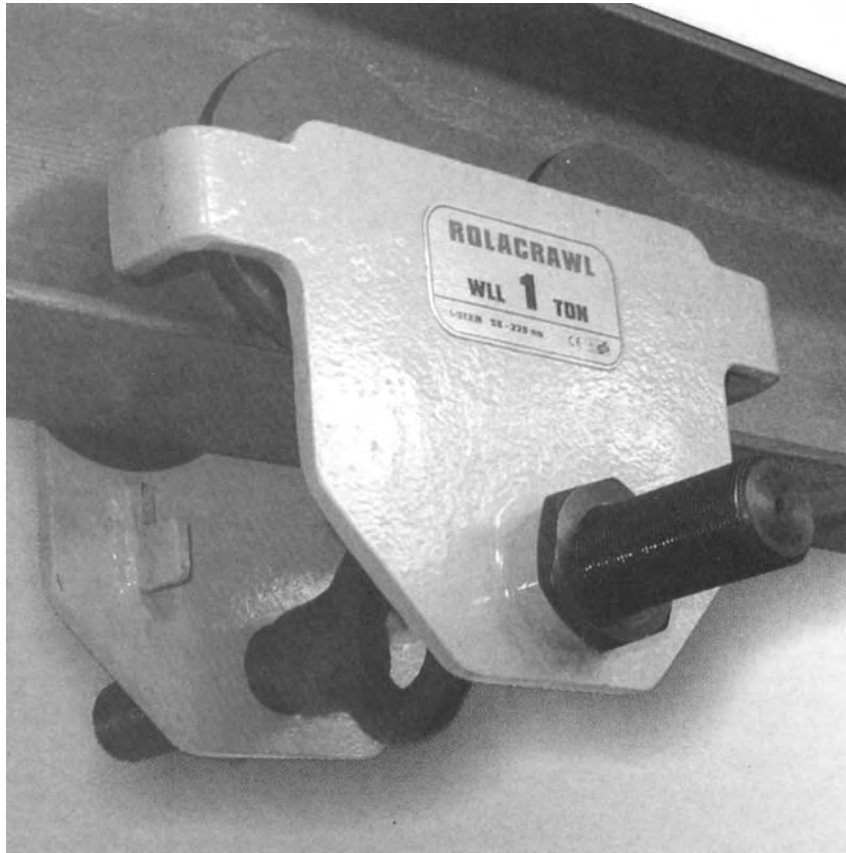


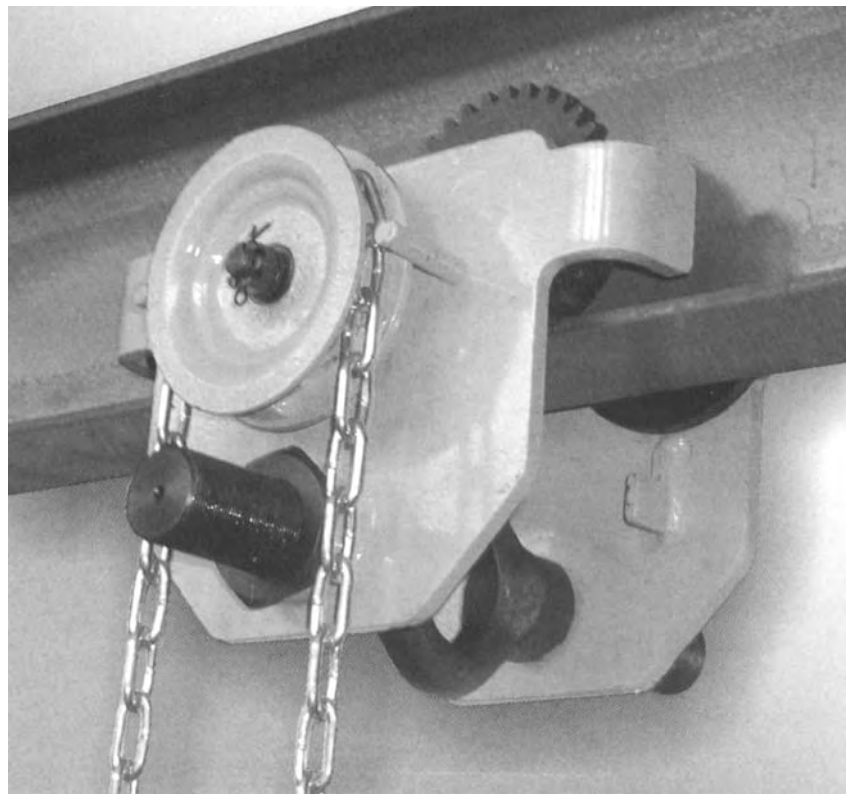
CRAWLS

ROLACRAWLS

PLAIN

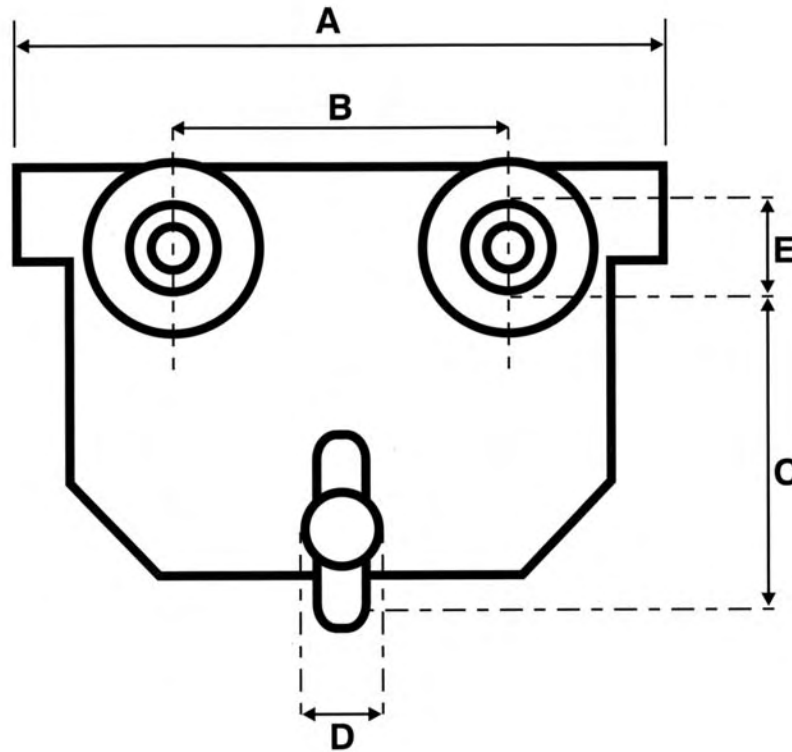


GEARED



CRAWLS

ADJUSTABLE PLAIN TROLLEY



SPECIFICATIONS		CAPACITY					
		½ t	1 t	2 t	3 t	5 t	
A	Overall length	198 mm	245 mm	277 mm	330 mm	380 mm	
B	Distance between axles (centre to centre)	100 mm	120 mm	130 mm	160 mm	170 mm	
C	Distance between beam base and hook bearing point	80 mm	105 mm	125 mm	150 mm	160 mm	
D	Shaft diameter	24 mm	30 mm	36 mm	41 mm	47 mm	
E	Load wheel diameter (at load-bearing surface)	55 mm	67 mm	80 mm	100 mm	110 mm	
1	Side plate thickness	6 mm	8 mm	10 mm	12 mm	16 mm	
2	Weight	Plain	5 kg	9 kg	14.5 kg	23.5 kg	36.5 kg
		Geared	N/A	10 kg	15.5 kg	25 kg	38.5 kg
3	To fit beam width	Minimum	50 mm	58 mm	66 mm	74 mm	90 mm
		Maximum	220 mm	220 mm	220 mm	220mm	220 mm
4	Minimum radius	1.3 m	1.3m	1.5 m	2 m	2.5 m	