

# SWING JIBS

## SWING JIB CRANES



A very important point to note is that Swing Jib Cranes comply in so far as it is applicable with British Standard 2853/1957 - "The Design and Testing of Steel Overhead Runway Beams".

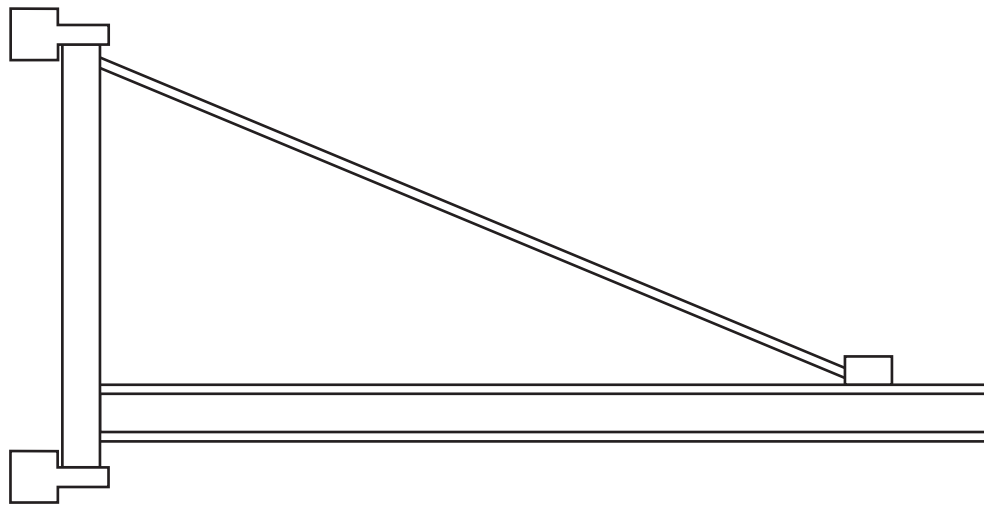
In particular we guarantee that  
THE MAXIMUM MEASURED DEFLECTION UNDER THE SAFE WORKING LOAD  
SHALL NOT EXCEED 1/250 OF THE SPAN.

It is in your interest to specify this maximum deflection when enquiring or ordering Swing Jibs.

Load test and Deflection Tests are carried out by the use of the latest Pd25 Laser range meter.

## SWING JIB CRANES

MADE AND DESIGNED TO SUIT YOUR REQUIREMENTS



When ordering it is important to specify the following :

1. Capacity
2. Radius - Length
3. Degree of mobility, e.g. 180°

Swing Jib Cranes comply in so far as applicable with  
British Standards 2853/1957

“THE DESIGN AND TESTING OF STEEL OVERHEAD RUNWAY BEAMS”

in particular we guarantee that the maximum measured deflection under the Safe Working Load shall not exceed 1 / 250 of the span.

**Should you require additional technical information,  
please do not hesitate to contact us.**